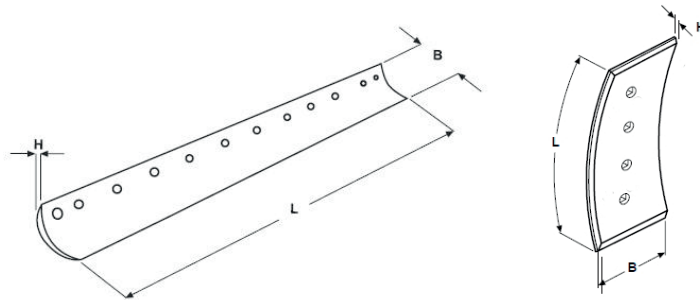


## Gradermesser

Passend zu Caterpillar

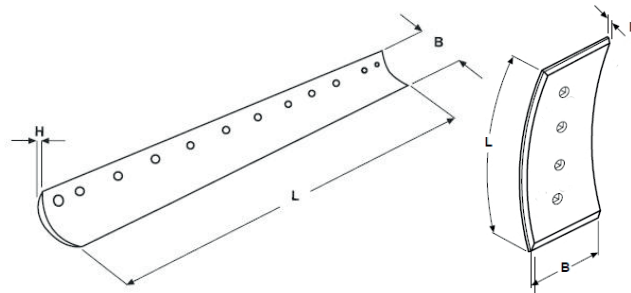


Artikelnummer	Bezeichnung	Länge (mm)	Breite (mm)	Höhe (mm)	Lochanzahl	Bohrung
6D1904	Overlay	454	230	16	8	PB 5/8"
6Y2805	Overlay	564	229	16	8	PB 3/4"
7D9999	Overlay	595	230	16	8	PB 3/4"
8E5531	Overlay	464	152	16	8	PB 5/8"
9D4880	Overlay	484	152	19	4	PB 3/4"
9D4881	Overlay	484	152	19	4	PB 3/4"
9W1764	Overlay	446	152	16	5	PB 5/8"
G1x8x8	Gradermesser	2432	203	25	17	PB 3/4"
G3/4x6x5	Gradermesser	1520	152	19	11	PB 5/8"
G3/4x6x6	Gradermesser	1824	152	19	13	PB 5/8"
G3/4x6x7	Gradermesser	2128	152	19	15	PB 5/8"
G3/4x8x5	Gradermesser	1520	203	19	11	PB 5/8"
G3/4x8x6	Gradermesser	1824	203	19	13	PB 5/8"
G3/4x8x6-3/4	Gradermesser	1824	203	19	13	PB 3/4"
G3/4x8x7	Gradermesser	2128	203	19	15	PB 5/8"
G3/4x8x7-3/4	Gradermesser	2128	203	19	15	PB 3/4"
G3/4x8x8	Gradermesser	2432	203	19	17	PB 3/4"
G5/8x6x5	Gradermesser	1520	152	16	11	PB 5/8"
G5/8x6x6	Gradermesser	1824	152	16	13	PB 5/8"
G5/8x6x7	Gradermesser	2128	152	16	15	PB 5/8"
G5/8x8x7-3/4	Gradermesser	2128	203	16	15	PB 3/4"



## Gradermesser

Passend zu O&K

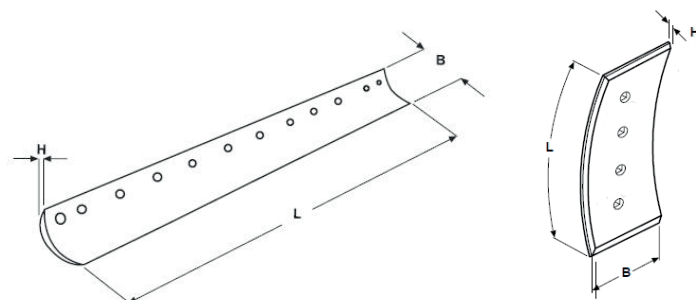


Artikelnummer	Bezeichnung	Länge (mm)	Breite (mm)	Höhe (mm)	Lochanzahl	Bohrung
033809	Gradermesser	1592	152	16	8	M16SE
033810	Eckmesser	150/230	210	20	4	M16SE
033813	Eckmesser	150/230	210	20	4	M16SE
046828	Eckmesser	150/236	375	16	5	M16SE
046873	Eckmesser	150/236	375	16	5	M16SE
1410004	Gradermesser	1800	150	20	8	M20SE
4130339	Overlay	480	152	20	5	PB 5/8"
4130482	Overlay	-	-	-	6	PB 5/8"
4164917	Planiermesser	2350	150	20	16	PB 5/8"
4168585	Overlay	374	152	20	4	PB 5/8"
4172998	Planiermesser	1367	150	20	9	PB 5/8"
4178062	Planiermesser	1220	150	20	8	PB 5/8"
4527357	Overlay	327	150/280	16	3	PB 5/8"
4527358	Overlay	327	150/280	16	3	PB 5/8"
033809HD	Gradermesser	1592	152	20	8	M16SE
037097HD	Gradermesser	1828	152	20	11	M16SE
G3/4x6x5	Gradermesser	1520	152	19	11	PB 5/8"
G3/4x6x6	Gradermesser	1824	152	19	13	PB 5/8"
G3/4x6x7	Gradermesser	2128	152	19	15	PB 5/8"
G3/4x8x5	Gradermesser	1520	203	19	11	PB 5/8"
G3/4x8x6	Gradermesser	1824	203	19	13	PB 5/8"
G3/4x8x6-3/4	Gradermesser	1824	203	19	13	PB 3/4"
G3/4x8x7	Gradermesser	2128	203	19	15	PB 5/8"
G3/4x8x7-3/4	Gradermesser	2128	203	19	15	PB 3/4"
G3/4x8x8	Gradermesser	2432	203	19	17	PB 3/4"
G5/8x6x5	Gradermesser	1520	152	16	11	PB 5/8"
G5/8x6x6	Gradermesser	1824	152	16	13	PB 5/8"
G5/8x6x7	Gradermesser	2128	152	16	15	PB 5/8"
G5/8x8x7-3/4	Gradermesser	2128	203	16	15	PB 3/4"



## Gradermesser

Passend zu New Holland

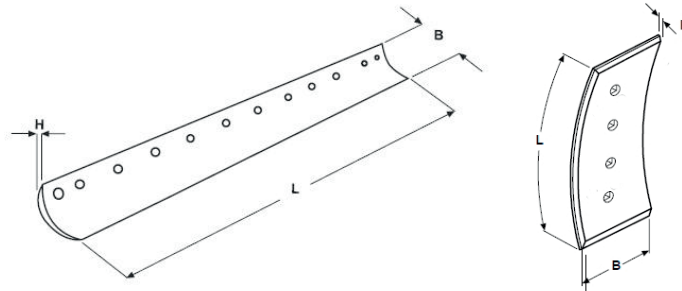


Artikelnummer	Bezeichnung	Länge (mm)	Breite (mm)	Höhe (mm)	Lochanzahl	Bohrung
1410004	Gradermesser	1800	150	20	8	M20SE
4130339	Overlay	480	152	20	5	PB 5/8"
4130482	Overlay	-	-	-	6	PB 5/8"
4164917	Planiermesser	2350	150	20	16	PB 5/8"
4168585	Overlay	374	152	20	4	PB 5/8"
4178062	Planiermesser	1220	150	20	8	PB 5/8"
4527357	Overlay	327	150/280	16	3	PB 5/8"
G3/4x6x5	Gradermesser	1520	152	19	11	PB 5/8"
G3/4x6x6	Gradermesser	1824	152	19	13	PB 5/8"
G3/4x6x7	Gradermesser	2128	152	19	15	PB 5/8"
G3/4x8x5	Gradermesser	1520	203	19	11	PB 5/8"
G3/4x8x6	Gradermesser	1824	203	19	13	PB 5/8"
G3/4x8x6-3/4	Gradermesser	1824	203	19	13	PB 3/4"
G3/4x8x7	Gradermesser	2128	203	19	15	PB 5/8"
G3/4x8x7-3/4	Gradermesser	2128	203	19	15	PB 3/4"
G3/4x8x8	Gradermesser	2432	203	19	17	PB 3/4"
G5/8x6x5	Gradermesser	1520	152	16	11	PB 5/8"
G5/8x6x6	Gradermesser	1824	152	16	13	PB 5/8"
G5/8x6x7	Gradermesser	2128	152	16	15	PB 5/8"
GG5/8x8x7-3/4	Gradermesser	2128	203	16	15	PB 3/4"



## Gradermesser

### Passend zu HBM



Artikelnummer	Bezeichnung	Länge (mm)	Breite (mm)	Höhe (mm)	Lochanzahl	Bohrung
170005	Seitenmesser	-	-	13	3	M16SE
170006	Seitenmesser	-	-	13	3	M16SE
170007HD	Gradermesser	1150	110	16	8	M16SE
170033	Seitenmesser	510	152	16	3	PB 5/8"
170034	Gradermesser	1520	150	19	8	PB 5/8"
4806999	Planiermesser	1488	150	20	6	PB 5/8"
7167288	Gradermesser	1674	150	16	-	-
943270325	Planiermesser	1244	150	20	6	PB 5/8"
943274587	Overlay	391	152	16	4	PB 5/8"
943384579	Overlay	-	-	-	-	PB 5/8"
G3/4x6x5	Gradermesser	1520	152	19	11	PB 5/8"
G3/4x6x6	Gradermesser	1824	152	19	13	PB 5/8"
G3/4x6x7	Gradermesser	2128	152	19	15	PB 5/8"
G3/4x8x5	Gradermesser	1520	203	19	11	PB 5/8"
G3/4x8x6	Gradermesser	1824	203	19	13	PB 5/8"

### Passend zu Faun/Frisch

Artikelnummer	Bezeichnung	Länge (mm)	Breite (mm)	Höhe (mm)	Lochanzahl	Bohrung
G3/4x6x5	Gradermesser	1520	152	19	11	PB 5/8"
G3/4x6x6	Gradermesser	1824	152	19	13	PB 5/8"
G3/4x6x7	Gradermesser	2128	152	19	15	PB 5/8"
G3/4x8x5	Gradermesser	1520	203	19	11	PB 5/8"
G3/4x8x6	Gradermesser	1824	203	19	13	PB 5/8"

