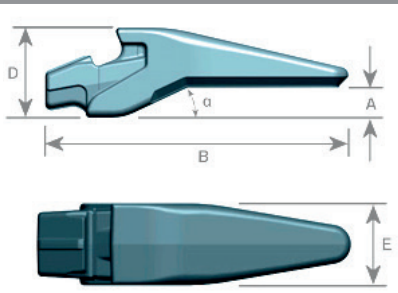
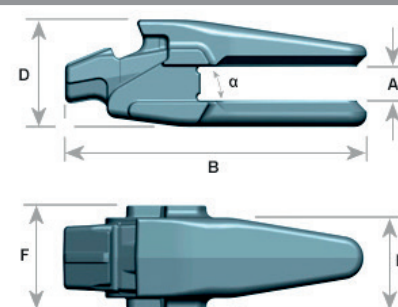


Combi Wear Parts - Combi Parts

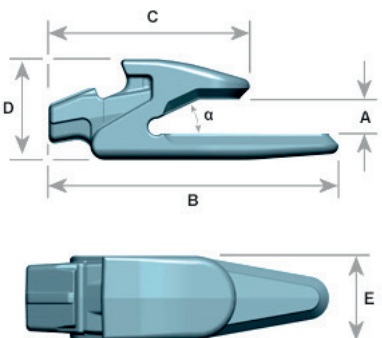
Zahnform	Mini	Midi	C0	C1	C2	C3	C3.5	C4	C5
T1	-	-	10111	11111	12111	13111	-	14111	-
T2	-	-	-	-	-	13112	-	-	15112
T3	-	-	-	11113	12113	13113	-	14113	-
T4	-	-	-	-	-	13114	-	-	-
T5	-	-	-	11115	12115	13115	-	14115	15115
T6	-	-	-	11116	12116	13116	-	-	-
T7	17117	18117	-	-	12117	13117	135117	14117	15117
T8	-	-	-	-	-	-	-	14118	15118
T9	-	-	-	-	-	-	-	-	15119
T25	-	-	-	-	12125	13125	135125	14125	15125
T29	17129	18129	10129	11129	12129	13129	135129	14129	15129
T35	-	-	-	11135	12135	13135	135135	14135	15135
T45	-	-	-	-	12145	13145	135145	14145	15145
T48	-	-	-	-	-	13148	135148	14148	15148
T50	-	-	-	-	-	-	135150	-	15150
T55	-	-	-	-	-	-	-	14155	-
T58	-	-	-	-	-	13158	135158	14158	15158

Bagger & Radlader Adapter A1	Artikel-Nr.	A mm	α Grad	B mm	C mm	D mm	E mm
	17001	16 (16-20)	25	165	N/A	52	36
	18001	16 (16-20)	25	187	N/A	61	46
	10001	20 (16-25)	25	218	N/A	70	54
	11001	20 (20-30)	25	240	N/A	75	60
	12001	25 (25-35)	25	270	N/A	80	67
	13001	30 (30-40)	25	340	N/A	103	85
	135001	40 (40-50)	25	385	N/A	114	100
	14001	50 (50-65)	25	430	N/A	126	108
	15001	65 (65-80)	30	505	N/A	152	125

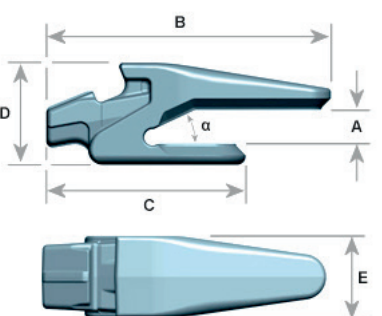
Bagger Adapter A5	Artikel-Nr.	A mm	α Grad	B mm	C mm	D mm	E mm
	12002	30	90	270	N/A	80	67
	13002	40	90	320	N/A	120	85
	14002	50	90	405	N/A	149	108



Combi Wear Parts - Combi Parts

Bagger Adapter A8E	Artikel-Nr.	A mm	α Grad	B mm	C mm	D mm	E mm
	11002	25	25	225	140	82	60
	12007	25	25	240	170	88	67
	12008	30	25	240	170	88	67
	13008	40	25	292	204	108	85
	13009	35	25	292	204	108	85
	135008	40	25	360	250	125	100
	135009	50	25	360	260	125	100
	14004	65	25	405	271	136	108
	14008	50	25	405	271	136	108
	14009	40	25	405	271	136	108
	15007	70	30	460	308	167	125
	15008	75	30	460	308	167	125
	15009	60	30	460	306	167	125

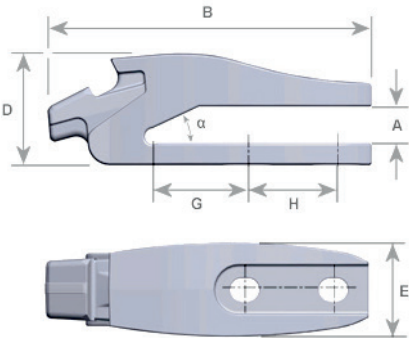
Bagger Adapter A8EB	Artikel-Nr.	A mm	α Grad	B mm	C mm	D mm	E mm
	17015	16 (16-20)	25	143	85	52	36
	18015	16 (16-20)	25	167	99	61	46

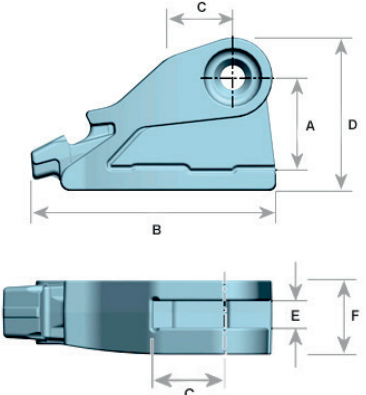
Radlader Adapter A8L	Artikel-Nr.	A mm	α Grad	B mm	C mm	D mm	E mm
	12012	30	25	257	152	85	67
	13012	40	25	300	200	110	85
	13013	35	25	300	200	110	85
	135009	50	25	360	260	125	100
	135012	40	25	351	245	126	100
	14012	40	25	380	235	135	108
	14013	45	25	380	235	135	108
	14004	65	25	405	271	136	108
	14008	50	25	405	271	136	108
	14009	40	25	405	271	136	108
	15006	65	30	460	260	168	125

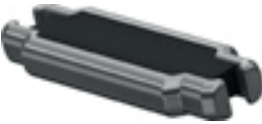
Radlader Adapter A11	Artikel-Nr.	A mm	α Grad	B mm	C mm	D mm	E mm
	14011	40 (40-55)	25	430	N/A	126	108




Combi Wear Parts - Combi Parts

Radlader Adapter BA	Artikel-Nr.	A mm	α Grad	B mm	C mm	D mm	E mm	F mm
	12052	30	25	295	N/A	95	80	N/A
	12053	35	25	257	N/A	100	80	N/A
	13051	35	25	362	N/A	102	85	N/A
	13052	40	25	366	N/A	126	105	N/A
	14052	40	25	388	N/A	138	105	N/A

Radlader Adapter BAC	Artikel-Nr.	A mm	α Grad	B mm	C mm	D mm	E mm	F mm
	12060	105	N/A	283	75	176	28	78
	12061	105	N/A	283	75	176	28	78

Combi Parts Lock C-Lock	Artikel-Nr.
	10306
	11306
	12306
	13306
	135306
	14306
	15316
	16306
	17306
18306	

Combi Parts Lock Slag-Lock	Artikel-Nr.
	12307
	12308
	13307
	13308
	135307
	135308
	14307
	14308
15307	
15308	

Montagewerkzeug C-Tool	Artikel-Nr.
	10403
	12403
	135403
	16403
	17403

