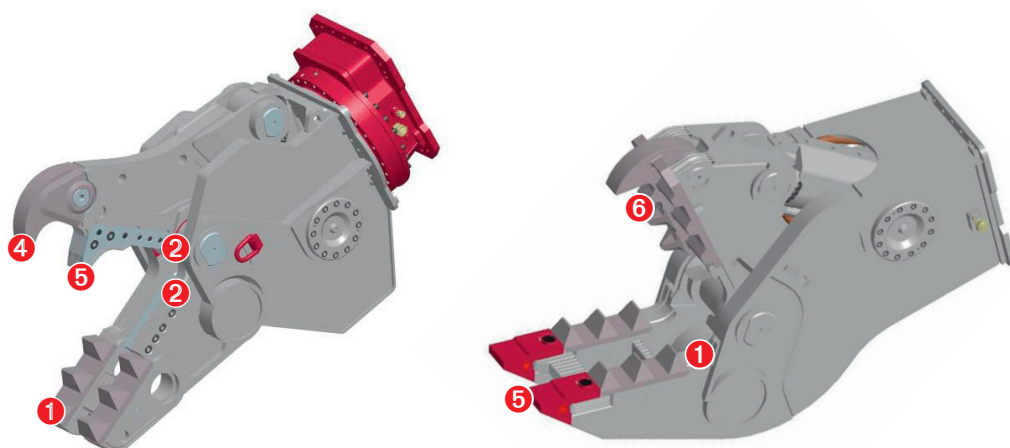


Verschleißteil-Sätze für Multi Quick Prozessoren

- ① Zahnreihensatz
- ② Messersatz
- ③ Piercingmessersatz
- ④ Geierzahn
- ⑤ Kratzzahnsatz
- ⑥ Zahnplatte
- ⑦ Brecherzahn



MQP-Serie C = Combi-Backe

Nr.	1.	2.	3.	4.	5.	6.	7.
MQP-25-C (V1)	DR402843	DR402844	DR402845	DR402846	-	-	-
MQP-25-C (V2)	DR402843	DR402844	DR405705	DR402846	-	-	-
MQP-30-C (V1)	DR402820	DR402824	DR402838	DR402841	-	-	-
MQP-30-C (V2)	DR402820	DR402825	DR402839	DR402842	-	-	-
MQP-30-C (V3A)	DR402820	DR402825	DR402850	DR402842	-	-	-
MQP-30-C (V3B)	DR402820	DR402825	DR405699	DR402842	-	-	-
MQP-30-C (V4)	DR402820	DR402825	DR405696	DR402842	-	-	-
MQP-45-C (V1)	DR402820	DR402829	DR402837	-	-	-	-
MQP-45-C (V2)	DR402820	DR402830	DR402838	DR402841	-	-	-
MQP-45-C (V3)	DR402820	DR402831	DR402839	DR402842	-	-	-
MQP-45-C (V4)	DR402820	DR402831	DR405699	DR402842	-	-	-
MQP-45-C (V5)	DR402820	DR402831	DR405696	DR402842	-	-	-
MQP-60-C (V1A)	DR402820	DR402834	DR402839	DR402841	-	-	-
MQP-60-C (V1B)	DR402820	DR402834	DR405699	DR402841	-	-	-
MQP-60-C (V2)	DR402820	DR402834	DR402839	DR402842	-	-	-
MQP-60-C (V3)	DR402820	DR402834	DR405699	DR402842	-	-	-
MQP-60-C (V4)	DR402820	DR402834	DR405696	DR402842	-	-	-

MQP-Serie D = Demolition-Backe

Nr.	1.	2.	3.	4.	5.	6.	7.
MQP-25-D	DR402843	DR403654	-	DR402846	DR402847	-	740058062
MQP-30-D	DR402820	DR403654	-	DR402842	DR402818	-	740058062
MQP-45-D	DR402820	DR402821	-	DR402842	DR402818	-	740058062
MQP-60-D	DR402820	DR403663	-	DR402842	DR402818	-	740058062

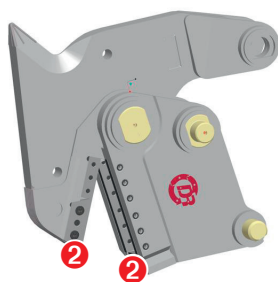
MQP-Serie P = Pulverisierer-Backe

Nr.	1.	2.	3.	4.	5.	6.	7.
MQP-25-P	DR402843	DR402848	-	-	DR402847	DR403794	-
MQP-30-P	DR402820	DR402826	-	-	DR402818	DR402940	-
MQP-45-P	DR402820	DR402821	-	-	DR402818	DR402941	-
MQP-60-P	DR402820	DR402823	-	-	DR402818	DR404630	-

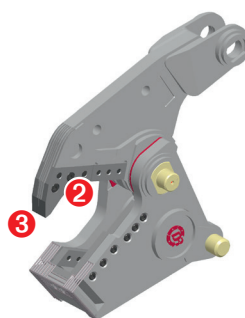


Verschleißteil-Sätze für Multi Quick Prozessoren

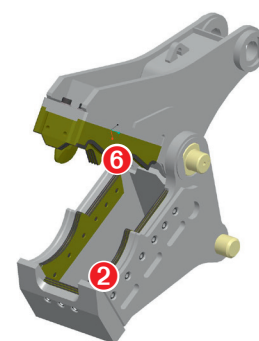
- ① Zahnreihensatz
- ② Messersatz
- ③ Piercingmessersatz
- ④ Geierzahn
- ⑤ Kratzzahnsatz
- ⑥ Zahnplatte
- ⑦ Brecherzahn



Tankscheren Gebiss



Stahl Gebiss



Universal Gebiss

MQP-Serie S = Stahl-Backe

Nr.	1.	2.	3.	4.	5.	6.	7.
MQP-25-S (V1)	-	DR402849	DR402845	-	-	-	-
MQP-25-S (V2)	-	DR402849	DR405705	-	-	-	-
MQP-25-S (V3)	-	DR402849	-	-	-	-	-
MQP-30-S (V1)	-	DR402827	-	-	-	-	-
MQP-30-S (V2)	-	DR402828	DR402839	-	-	-	-
MQP-30-S (V3)	-	DR402828	DR405699	-	-	-	-
MQP-30-S (V4)	-	DR402828	DR405696	-	-	-	-
MQP-45-S (V2)	-	DR402832	-	-	-	-	-
MQP-45-S (V3)	-	DR402833	DR402839	-	-	-	-
MQP-45-S (V4)	-	DR402833	DR405699	-	-	-	-
MQP-45-S (V5)	-	DR402833	DR405696	-	-	-	-
MQP-60-S (V1)	-	DR402835	DR402839	-	-	-	-
MQP-60-S (V2)	-	DR402836	DR402839	-	-	-	-
MQP-60-S (V3)	-	DR402836	DR405699	-	-	-	-
MQP-60-S (V4)	-	DR402836	DR405702	-	-	-	-
MQP-60-S (V5)	-	DR402836	DR405696	-	-	-	-

MQP-Serie T = Tankschere-Backe

Nr.	1.	2.	3.	4.	5.	6.	7.
MQP-25-T	-	DR403662	-	-	-	-	-
MQP-30-T (V1)	-	DR403661	-	-	-	-	-
MQP-30-T (V2)	-	DR403658	-	-	-	-	-
MQP-45-T	-	DR403659	-	-	-	-	-
MQP-60-T	-	DR403660	-	-	-	-	-

MQP-Serie U = Universal-Backe

Nr.	1.	2.	3.	4.	5.	6.	7.
MQP-25-U	-	auf Anfrage	-	-	-	auf Anfrage	-
MQP-30-U	-	DR403666	-	-	-	DR403667	-
MQP-45-U (V1)	-	DR403656	-	-	-	DR403657	-
MQP-45-U (V2)	-	DR403664	-	-	-	DR403657	-
MQP-60-U	-	DR404956	-	-	-	DR404957	-

